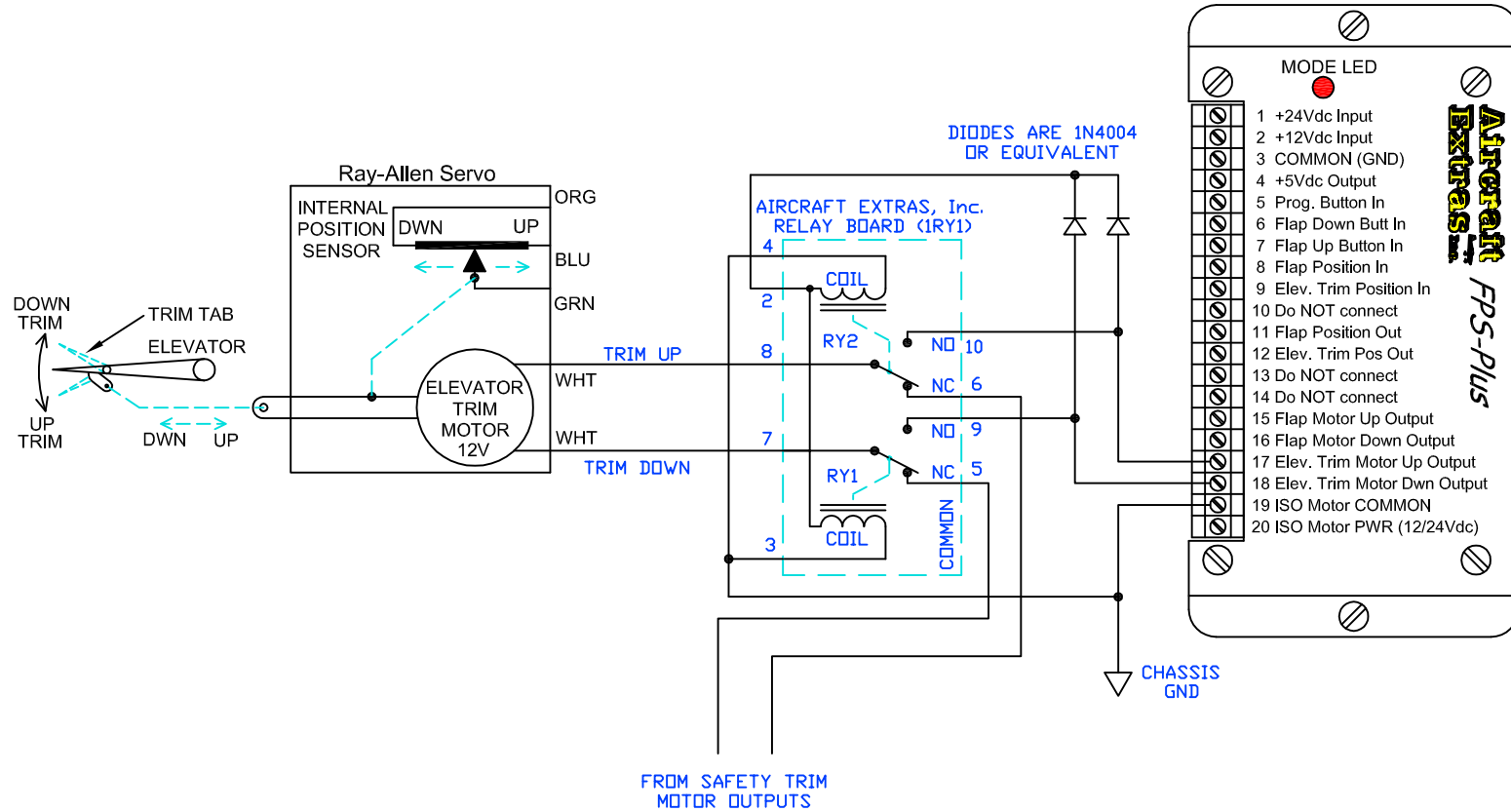


SCHEMATIC for interfacing Safety Trim with the FPS-Plus



NOTES:

- 1.) IF SAFETY TRIM ACTUATES THE ELEV. TRIM BACKWARDS, SWAP THE TWO SAFETY TRIM CONNECTIONS.
- 2.) IF THE FPS PLUS ACTUATES THE ELEV. TRIM BACKWARDS, SWAP THE TWO FPS-Plus OUTPUT CONNECTIONS.